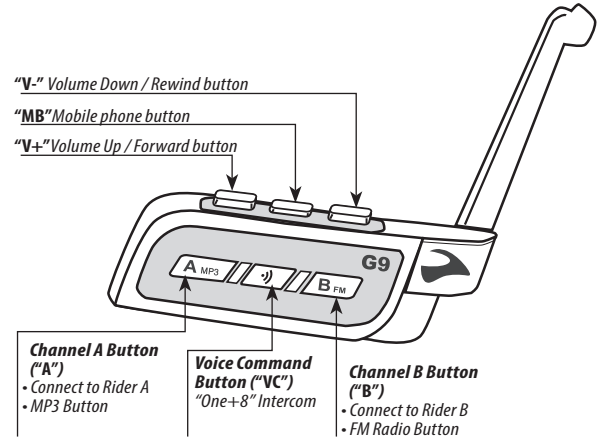


scala rider®

G9/G9 PowerSet™

QUICK GUIDE

This Quick Guide is not a substitute to the user manual and addresses only a limited scope of features and functions of your **scala rider G9**. Assuming that you have already completed the entire set-up of your G9, including pairing with external devices (e.g. your mobile phone, MP3 player, GPS), this reference guide may be useful to look up some basic functions and commands of your G9 while you are on the road and have no access to the user manual. This Quick Guide can be printed and folded for easy reference while on the road, or it may be viewed directly on your smartphone.



1 | GENERAL FUNCTIONS

Power ON / OFF	Press "MB" for 2 seconds • ON: 3 short blue LED flashes + ascending tone • OFF: 3 short red LED flashes + descending tone
Volume	Tap "V+" or "V-" to adjust volume of current audio source
Mute speakers	Tap "V+" and "V-" simultaneously
Battery level indicator	Press "V+" for 2 seconds • Blue LED = Full charge • Purple LED = Half charge • Red LED = Almost empty
Voice Menu	Press "A" and "B" simultaneously for 2 seconds and follow the spoken instructions
Hear Your Assigned Name	Tap "VC" and "B" simultaneously
Paired Device Indication	Press "VC" for 5 seconds If "One+8" Buddies are within range, purple LEDs flash for 2 seconds
Group Signal	Tap "VC" twice
Enable / Disable Vox (For Intercom calls only)	Press "V+" and "V-" simultaneously for 2 seconds • Enabled: Blue flash for 2 seconds • Disabled: Red flash for 2 seconds

2 | VOICE COMMANDS

- In Standby, tap "VC" or speak any word loudly to activate VOX
- Speak a Voice Command from the table below:

Current Mode	Desired Action	Say this:
Standby / FM / A2DP / AUX	"One+8" Intercom Call	<<G9 Buddy Name>>
	Intercom call with A or B	"Call Intercom"
Standby	Start A2DP	"Music ON"
	Turn on FM	"Radio ON"
FM Radio	Turn off FM	"Radio OFF"
FM Radio	Next Station Preset	"Next Station"
FM Radio	Previous Station Preset	"Previous Station"
A2DP Music	Next track	"Next track"
A2DP Music	Previous track	"Previous track"
A2DP Music	Stop / Pause A2DP	"Music OFF"

LED	Status
None	scala rider G9 is OFF
1 BLUE flash every 3 seconds	Standby mode No active audio sources
2 BLUE flashes every 3 seconds	Active mode – Call in progress / music or other audio source is ON
1 RED flash every 3 seconds	Standby mode – Battery is low
2 RED flashes every 3 seconds	Active mode – Battery is low
Solid RED	Charging

4 | PHONE CALLS

Answer a call	Tap "MB" or speak any word loudly to answer by VOX
Reject a call	Remain silent for 15 seconds, or press and hold "MB" for 2 seconds
End a call	Tap "MB"
Voice Dial*	Tap "MB" and follow the prompt from the mobile
Redial*	Tap the "MB" twice
Hot Dial	Tap "A" and "B" simultaneously

INTERCOM CONFERENCE MODE

Add/Remove Channel "A" to/from a call	Tap "A" while on a phone call
Add/Remove Channel "B" to/from a call	Tap "B" while on a phone call

*This feature is not available during intercom or mobile calls

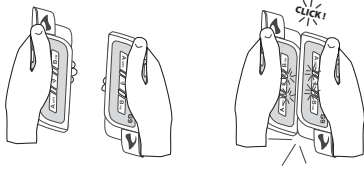
5 | A2DP MUSIC AND FM RADIO

Play / Stop A2DP Music	In Standby, press "A" for 2 seconds
Radio On / Off	In Standby, press "B" for 2 seconds
Forward / Next Station	Press "V+" for 2 seconds
Rewind / Previous Station*	Press "V-" for 2 seconds

*With some phones you may need to repeat this action

6 | INTERCOM CONFIGURATION

Note: PowerSet units are already factory paired!



Flash Pairing

Flash Pairing (Remove both G9 units from Audio Kits)

with a "One+8" Intercom Buddy	Bump G9 units together and hold side by side. Purple LED = success
with Channels A / B	1. Tap either "A" or "B" on both G9 units. 2. Bump G9 units together and hold side by side. Purple LED = success
Manual Pairing	
with Channels A / B	Press either "A" or "B" for 5 sec. on both G9 units until red (A) or blue (B) LEDs begin flashing rapidly. Solid Red/Blue LED = success
3-Way Intercom	<ul style="list-style-type: none"> Rider #1 and Rider #2 pair via "A" Rider #1 and Rider #3 pair via "B"
4-Way Intercom	<ul style="list-style-type: none"> Rider #1 and Passenger #2 pair via "A". Rider #3 and Passenger #4 pair via "A" Passenger #2 and Passenger #4 pair via "B"

Four-Way Calls

Manual Option:	<ol style="list-style-type: none"> Rider #1 taps "A" to Passenger #2. Rider #3 taps "A" to call Passenger #4. Passenger #2 taps "B" to call Passenger #4.
-----------------------	--



8 | CLICK TO LINK ("CTL") CALLS

Start a "CTL" call request (search lasts up to 10 seconds)	Tap "A" twice
End a "CTL" call / Cancel "CTL" request	Tap "A"
Accept a "CTL" call	When you hear the "CTL" ringtone: <ul style="list-style-type: none"> Tap "A" or Speak any word loudly to answer by VOX
Reject a "CTL" call	When you hear the "CTL" ringtone, remain silent until the ring tone stops
Enable/Disable CTL (Disabled by default)	Via the Voice Menu – see section 1

9 | TROUBLESHOOTING

Rebooting the G9	If your G9 stops responding to your commands, reset it by turning it off and then on again (press "MB" for 2 seconds).
Reset Pairing (Delete paired devices – except "One+8" pairings)	<ol style="list-style-type: none"> When in Standby mode, press "MB" for 6 seconds until G9 flashes red/blue. Press "V+" for 2 seconds until G9 flashes 5 times in purple.

7 | USING INTERCOM

Two-Way Calls

"One+8" Intercom	
Say the Name:	Choose the Name (from your Buddy List):
<ol style="list-style-type: none"> Tap "VC" Speak the name of the "One+8" Intercom Buddy 	<ol style="list-style-type: none"> Press "VC" for 2 seconds Hear the names of all pre-paired "One+8" Intercom Buddies. Once you hear the name of the Buddy you wish to call, tap "VC" or speak any word loudly into the microphone. <p>To cancel "One+8" Buddy List playback: Press "VC" for 2 seconds.</p>

When receiving a "One+8" Intercom call from someone who is not in your Buddy list, you will hear a ringtone, and not the name of the caller.

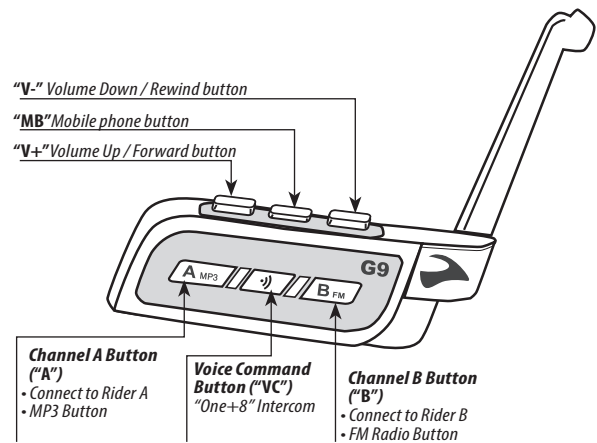
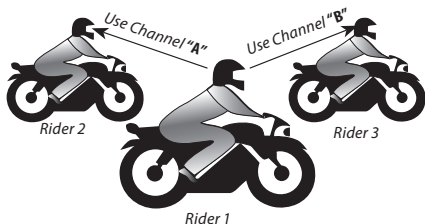
Tap "A" to accept Intercom calls or stay silent until ringtone stops to reject the call.

Three-Way Calls

To start an Intercom Conference Call with Channels "A" and "B":

Voice Connect Option (VOX):	<ol style="list-style-type: none"> When in A2DP/FM/AUX/ Standby, speak any word loudly to activate the Voice Command and wait for a brief tone. Now say "Call Intercom" to call Riders A + B.
Manual Option:	<ol style="list-style-type: none"> To add Channel "A" into the conference, tap "A". To add Channel "B" into the conference, tap "B".

To disconnect either, tap "A" or "B" respectively.



The contents of this User Guide, including all text, illustrations and drawings are the exclusive intellectual property of Cardo Systems, Inc. (the "Company") and are protected by copyright laws. Any partial or total reproduction, translation and or dissemination, without the prior written authorization by the Company are strictly prohibited. Any rights not expressly granted herein are reserved.